

INSTALLATION GUIDE

SCXI-1373 CHASSIS PANEL-MOUNT KIT

The SCXI-1373 chassis panel-mount kit can mount a 4-slot or 12-slot SCXI chassis to any usable surface.

What You Need to Get Started

- SCXI-1373 Chassis Panel-Mount Kit
 - Two rack-mount brackets
 - Two no. 6-32 thumbscrews
 - Two no. 8-32 thumbscrews
 - Four no. 10-32 screws
 - Four no. 10-32 nuts
 - Four no. 10 lockwashers
- 4-slot or 12-slot SCXI chassis
- SCXI-1373 Chassis Panel-Mount Kit Installation Guide*
- Flathead 1/4 in. screwdriver
- Phillips no. 2 screwdriver
- Drill
- Drill bit, 7/32 in.
- Nutdriver



SCXI™ is a trademark of National Instruments Corporation. Product and company names are trademarks or trade names of their respective companies.

Installation

Attach the SCXI-1373 chassis panel-mount kit to your SCXI chassis before mounting it to any surface. Perform the following steps:

1. Attach a bracket to each side of your SCXI chassis with the supplied thumbscrews. Refer to Figure 1 for thumbscrew placement.
2. Mark where you want holes on the surface where you are mounting the assembly. Use the bracket holes as a guide or use the assembly dimensions in Figures 2 and 3.
3. Drill holes in the surface and mount the SCXI chassis. Use the four no. 10-32 screws supplied with your kit.
4. Loosen the thumbscrews to tilt the chassis for easy configuration.

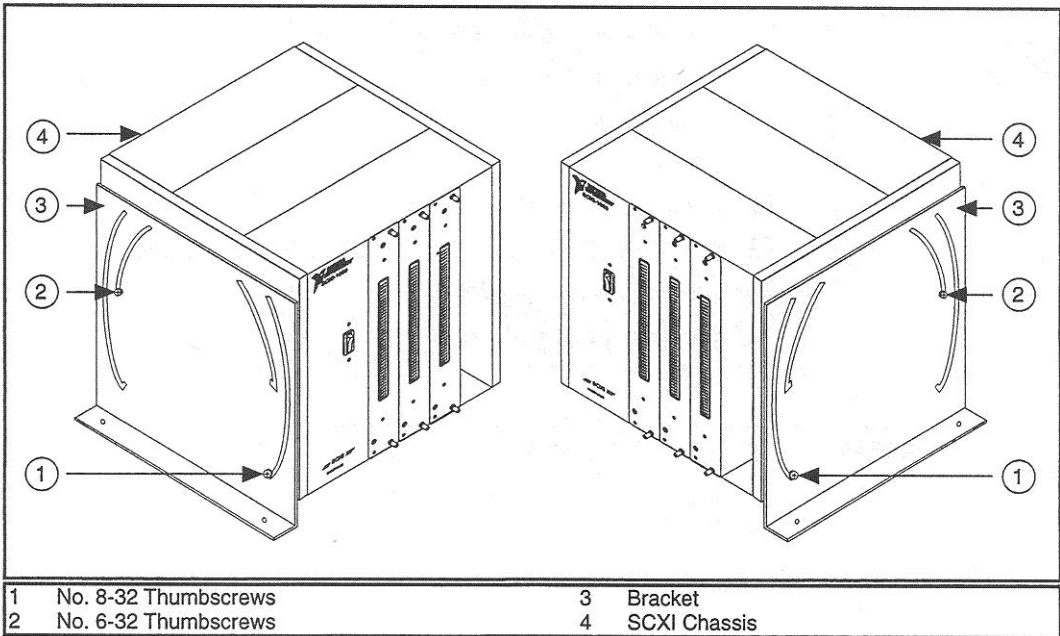


Figure 1. Chassis Panel-Mount

Dimensions

Leave enough space around the SCXI chassis for access to your SCXI modules, terminal blocks, cabling, and rear adapters. The space also allows for proper cooling.



Caution: *Do not block the fans. This can cause damage by overheating your equipment. National Instruments is NOT responsible for damage that occurs as a result of blocked fans.*

If the brackets are turned *out*, the holes for a 12-slot chassis should be positioned at 15.24 by 46.61 cm (6.0 by 18.35 in.), and for a 4-slot chassis should be positioned at 15.24 by 22.23 cm (6.0 by 8.75 in.). See Figure 2 for dimensions.

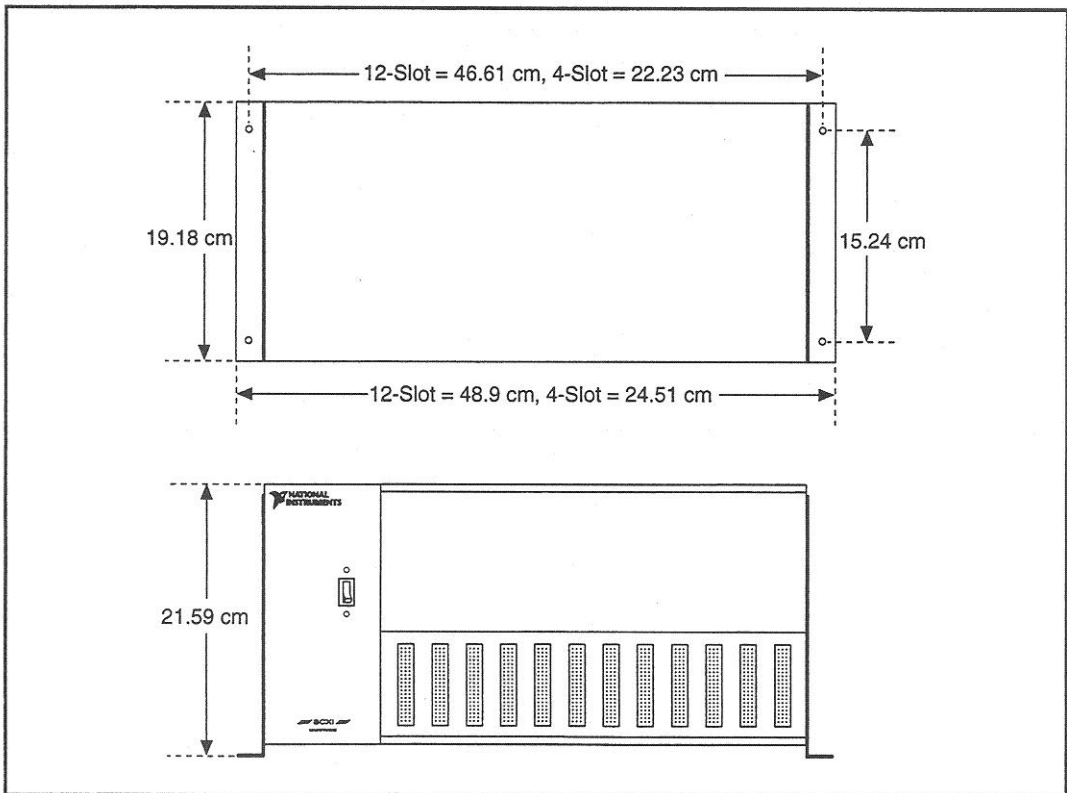


Figure 2. Dimensions if the Brackets are Turned Out

If the brackets are turned *in*, the holes for a 12-slot chassis should be positioned at 15.24 by 41.02 cm (6.0 by 16.15 in.), and for a 4-slot chassis should be positioned at 15.24 by 16.64 cm (6.0 by 6.55 in.). See Figure 3 for dimensions.

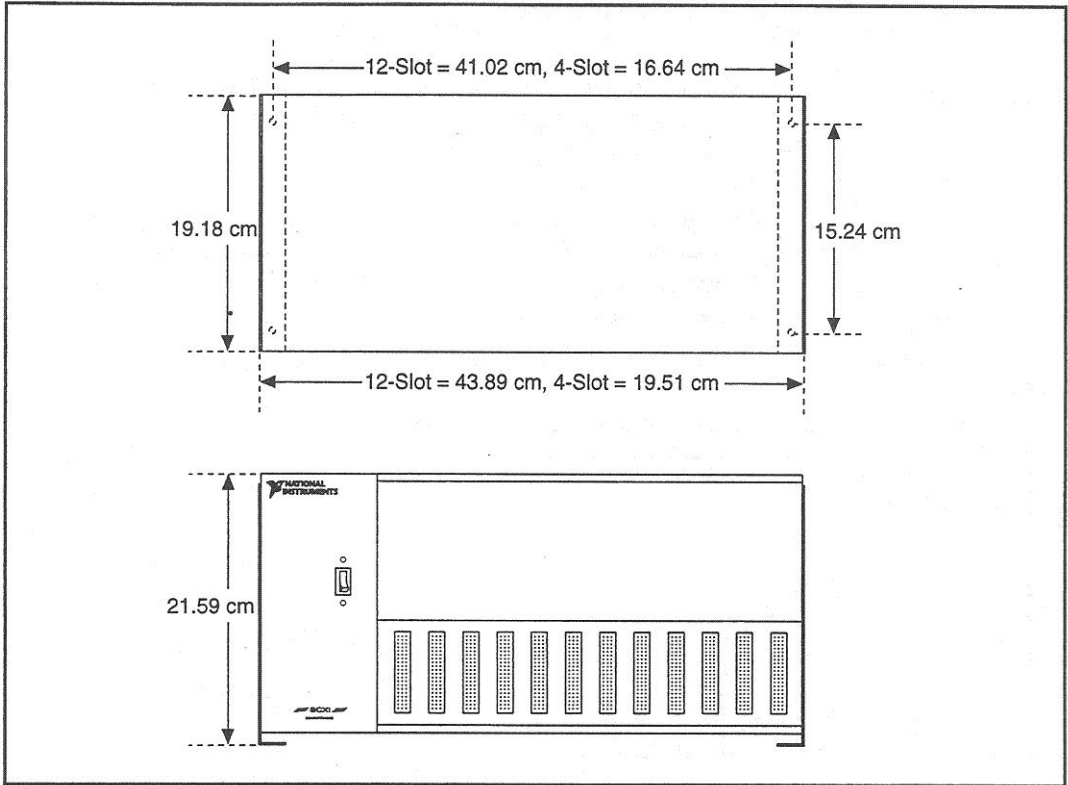
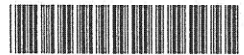


Figure 3. Dimensions if the Brackets are Turned In



321244A-01
May 1996